

# LOGMIN PNEUMATIC CYLINDERS



**LOGICSYSTEM AB**

**Industrial automation**

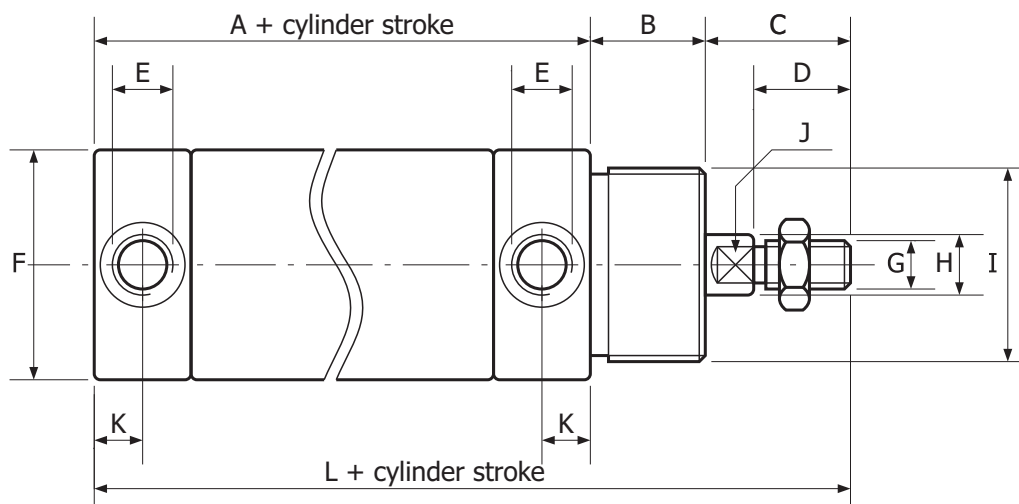
# CYLINDER Ø 32-80 Double-acting



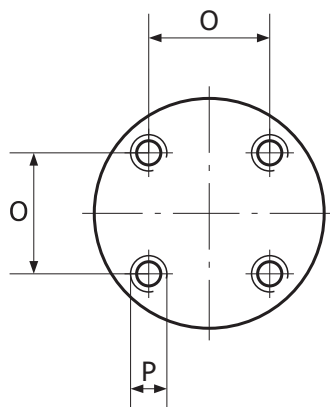
ORDER NUMBERS

DIMENSIONS

Cylinder Stroke	Cyl Ø	32	40	50	63	80
		<b>Order No.</b>				
<b>25</b>		3 LDV 032 025	3 LDV 040 025	3 LDV 050 025	3 LDV 063 025	3 LDV 080 025
<b>50</b>		...050	...050	...050	...050	...050
<b>80</b>		...080	...080	...080	...080	...080
<b>100</b>		...100	...100	...100	...100	...100
<b>125</b>		...125	...125	...125	...125	...125
<b>160</b>		...160	...160	...160	...160	...160
<b>200</b>		...200	...200	...200	...200	...200
<b>250</b>		...250	...250	...250	...250	...250
<b>300</b>		-	...300	...300	...300	...300
<b>350</b>		-	-	...350	...350	...350
<b>400</b>		-	-	-	...400	...400
<b>Spare part kit</b>		3 LSL 032 000	3 LSL 040 000	3 LSL 050 000	3 LSL 063 000	3 LSL 080 000

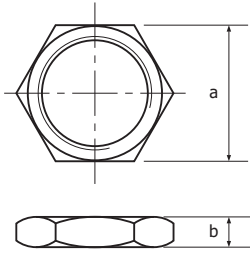


Cylinder Ø [mm]	A	B	C	D	E	F	G	H	I	J	K	L
<b>32</b>	66	18	24	16	R1/8	37	M8 x 1,25	10	M30 x 2	8	8	108
<b>40</b>	82	22	30	20	R1/4	45	M10 x 1,25	12	M33 x 2	10	11	134
<b>50</b>	89	25	34	24	R1/4	56	M12 x 1,25	16	M36 x 2	14	11	148
<b>63</b>	96	32	44	32	R1/4	70	M16 x 1,5	20	M48 x 2	17	11	172
<b>80</b>	112	32	44	32	R3/8	88	M16 x 1,5	20	M48 x 2	17	13	188



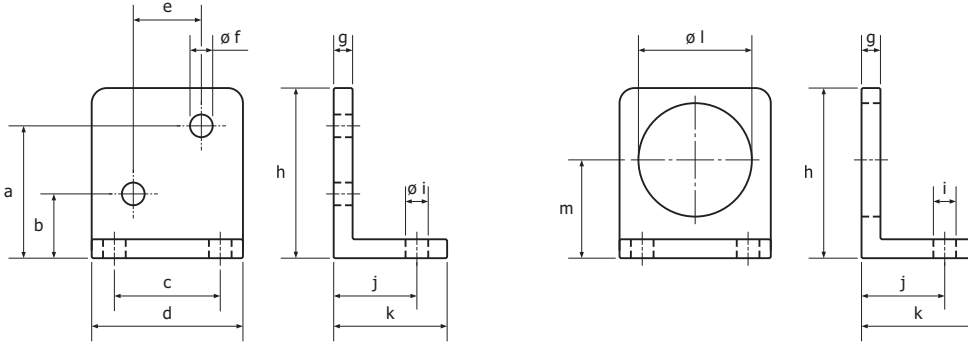
Cylinder Ø [mm]	O	P	Dept of Thread
<b>32</b>	18	M5	10 mm
<b>40</b>	23	M5	10 mm
<b>50</b>	27	M6	12 mm
<b>63</b>	34	M8	16 mm
<b>80</b>	40	M8	16 mm

# CYLINDER MOUNTINGS



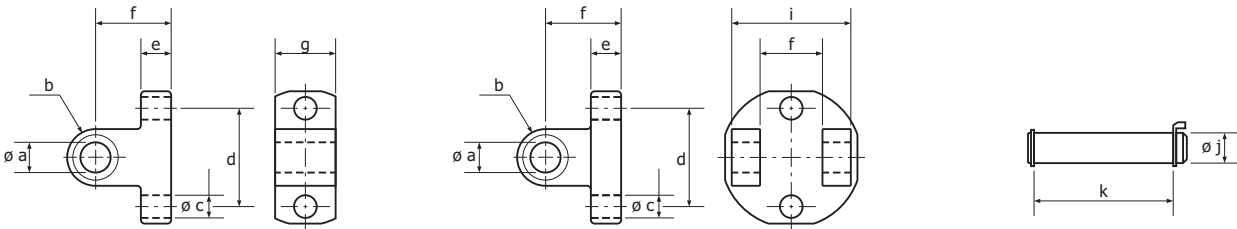
## Nut for Mounting

Cylinder Ø [mm]	Order No.	a	b
32	3 LFS 032 010	36	8
40	3 LFS 040 010	46	10
50	3 LFS 050 010	50	10
63	3 LFS 063 010	50	10
80	3 LFS 080 010	ø 70	10



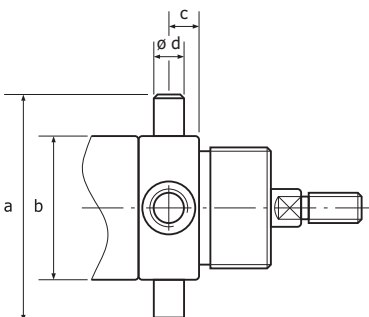
## Foot Bracket, Front and Rear

Cylinder Ø [mm]	Order No.	a	b	c	d	e	f	g	h	i	j	k	l	m
32	3 LFS 032 012	35,0	17,0	28	40	18	5,5	4	45	5,5	22,0	30	30,5	26
40	3 LFS 040 012	47,5	24,5	36	50	23	6,0	5	60	7,0	24,0	40	33,5	36
50	3 LFS 050 012	58,5	31,5	40	56	27	7,0	5	75	7,0	30,5	50	36,5	45
63	3 LFS 063 012	66,5	33,5	50	70	33	9,0	6	80	9,0	27,0	40	48,5	50
80	3 LFS 080 012	83,0	43,0	63	85	40	12,0	6	100	12,0	36,0	65	48,5	63



## Eye Bracket Clevis Bracket Pivot Bolt

Cylinder Ø [mm]	Order No.	Order No.	Order No.	a	b	c	d	e	f	g	h	i	j	k
32	3 LFS 032 013	3 LFS 032 014	3 LFS 032 015	8	7,5	5,5	25,5	8	20	15,6	16,4	32	8	32
40	3 LFS 040 013	3 LFS 040 014	1 823 120 020	10	10,5	5,5	32,0	9	22	25,5	26,5	44	10	45
50	3 LFS 050 013	3 LFS 050 014	1 823 120 021	12	13,0	6,6	38,0	11	27	27,5	28,5	51	12	52
63	3 LFS 063 013	3 LFS 063 014	1 823 120 022	12	14,0	9,0	47,0	12	28	31,5	32,5	60	12	61
80	3 LFS 080 013	3 LFS 080 014	1 823 120 023	16	17,0	9,0	56,5	13	34	39,4	40,6	70	16	71



## Pivot Mounting

Cylinder Ø [mm]	Order No.	a	b	c	d
32	3 LFS 032 017	37	59	8	8
40	3 LFS 040 017	45	70	10	10
50	3 LFS 050 017	56	90	10	12
63	3 LFS 063 017	70	110	10	16
80	3 LFS 080 017	88	130	13	16

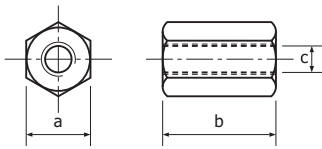
HEX NUT

FOOT MOUNTING

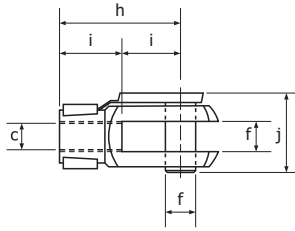
CLEVIS MOUNTING

PIVOT MOUNTING

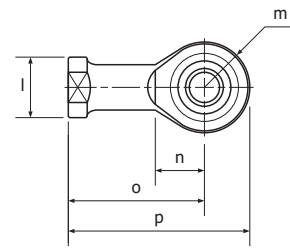
# ROD ENDS



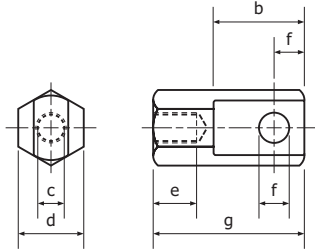
COUPLING NUT



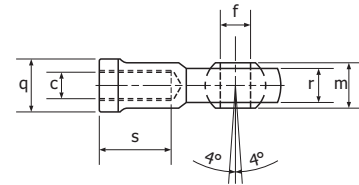
CLEVIS END



BALL END



EYE END



	Coupl. Nut	Eye End	Clevis End											
Cylinder Ø [mm]	Order No.	Order No.	Order No.	a	b	c	d	e	f	g	h	i	j	k
32	3 823 300 034	3 822 122 010	1 822 122 010	13	24	M8	17	11	8	40	32	16	22	10
40	3 823 300 020	3 822 122 024	1 822 122 024	17	30	M10 x 1,25	19	15	10	50	40	20	26	12
50	3 823 300 021	3 822 122 025	1 822 122 025	19	36	M12 x 1,25	24	18	12	60	48	24	32	14
63/80	3 823 300 030	3 822 122 005	1 822 122 005	24	48	M16 x 1,5	30	24	16	80	64	32	40	19

Ball End												
Cylinder Ø [mm]	Order No.	l	m	n	o	p	f	q	c	r	s	
32	1 822 124 002	16	12	13	36	48	8	14	M8	9,0	16	
40	1 822 124 003	19	14	15	43	57	10	17	M10 x 1.25	10,5	20	
50	1 822 124 004	22	16	17	50	66	12	19	M12 x 1.25	12,0	22	
63/80	1 822 124 005	27	21	22	64	85	16	22	M16 x 1.5	15,0	28	

## CUSTOMER ADOPTATIONS

We will construct and manufacture the LOGMIN pneumatic cylinder completely according to your requirements and requests. This way, we can deliver a solution that fully satisfies your needs.

Multi-step cylinder, tandem cylinder, proximity switching and stainless rod are just a few examples.

Please, send us your inquiry.

**BORÅS**  
Logicsystem AB  
Industrigatan 22  
504 62 BORÅS  
SWEDEN  
Tel. +46 33 10 04 70  
Fax +46 33 10 80 31  
infoboras@logicsystem.se

**HELSINGBORG**  
Logicsystem AB  
Lilla Garnisonsgatan 35  
254 67 HELSINGBORG  
SWEDEN  
Tel. +46 42 38 61 50  
Fax +46 42 20 18 97  
infohbg@logicsystemab.com

Please visit our website  
[www.logicsystem.se](http://www.logicsystem.se)



**LOGICSYSTEM AB**

**Industrial automation**